

systema



RAND - RAND PLUS
- Brochure -

systema

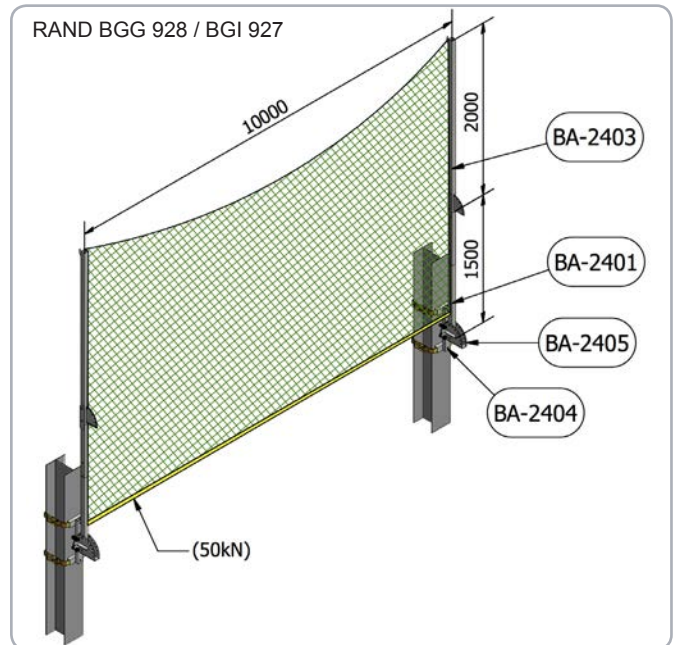
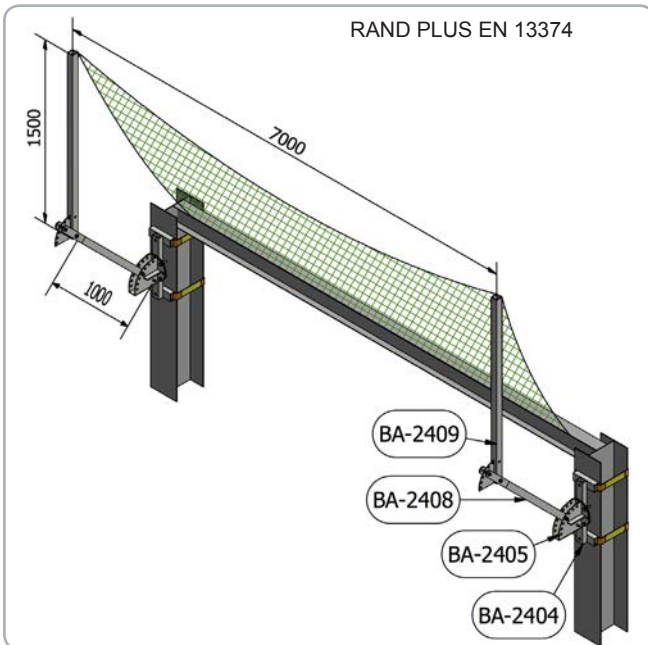
FALL PROTECTION SYSTEM FOR ROOF CONSTRUCTION
Product Group: RAND

RAND is a complete edge protection system specially designed for warehouses and commercial buildings. It can provide fall from height protection to a wide range of residential, commercial and civil construction.

A unique innovative attachment allows to install the system at almost every site: steel frame structures, concrete columns, timber, concrete walls, bridges, sloping roofs, etc.

Advantages:

- Versatile attachment
- Adaptable to various structures and positions (vertical/horizontal/sloped)
- A system that can follow the curves of standing seam roofs.
- Large spans (7 to 10 meter/ 22ft 11in to 32ft 9 in)
- Perfect for long verge overhangs
- Fast installation
- The use of safety net walls creates a confined working area and prevents tools from falling. Additional debris nets can be easily attached.



RAND PLUS

According to European standard **EN 13374 Class C**. Tested in the approved external laboratory AIDICO.

Protection system for roofs with high inclinations (up to 60°).

Max. distance between posts: 7m.

RAND

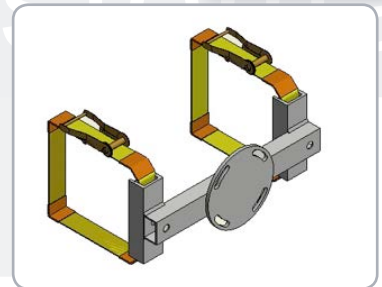
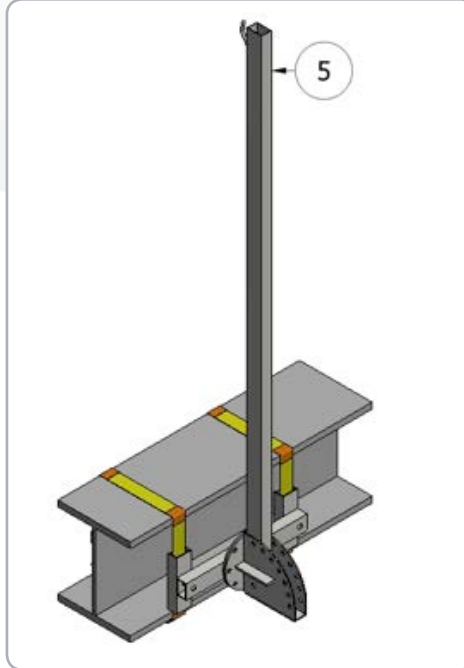
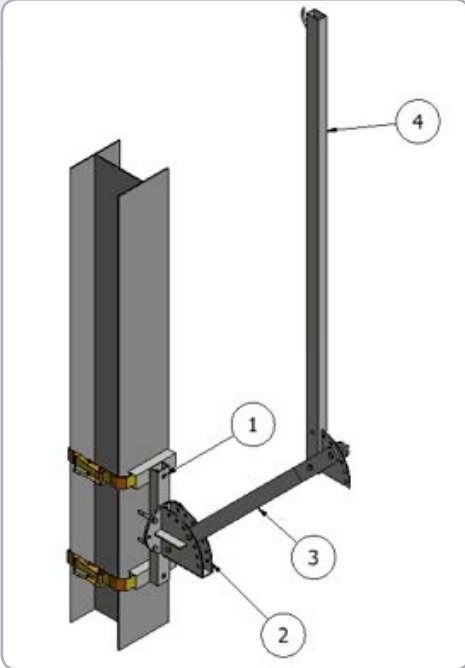
According to German standards BGI 807 and BGG 928. Loads on these standard are based on European Standard EN 13374 Class A.

Protection system for roofs with low inclinations (up to 20°).

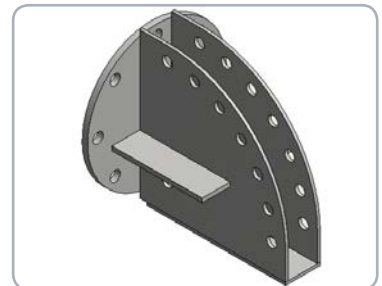
Max. distance between posts: 10m.



STANDARD CONFIGURATION



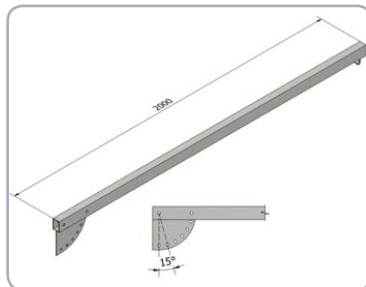
1) Fixation
BA-2404: RAND Attachment
BA-2420: Textile Slings



2) Foot
BA-2405: Variable Angle Foot



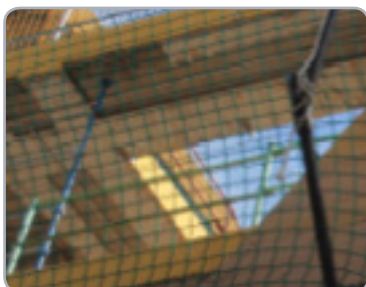
3) Lower Arm
BA-2401: 1,5m/ 4ft 11 in (R)
BA-2408: 1m/ 3ft 3 in (R+)



4) Upper Arm
BA-2403: 2m/ 6ft 6 in (R)
BA-2409: 1,5m/ 4ft 11 in (R+)



5) Upper Arm RAND-only
BA-2400: 2,65m/ 8ft 8 in(R)



Safety Net EN-1263-1 A2
 System U with border rope. Different lengths. Knotless, high tenacity polypropylen, 100mm-Mesh with 30kn border rope. Optional: w/ debris nets.



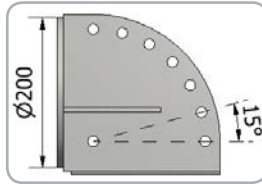
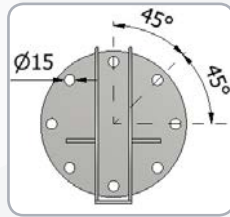
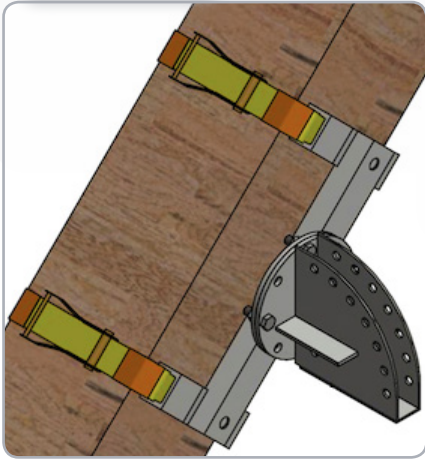
HT Polyamide Ropes
TIE ROPE - Joining safety nets to posts/beams (2x15kn)
COUPLING ROPE - safety nets joinings. 7,5 KN



Optional: Textile Sling
 Textile sling w/ ratchet used for fixing the safety nets from the lower side.

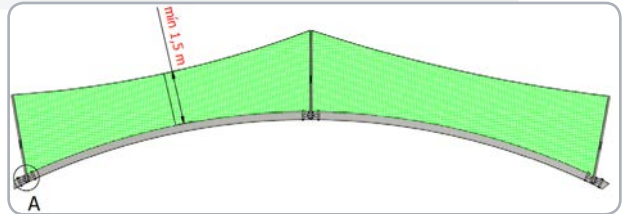


RAND PLUS - RAND

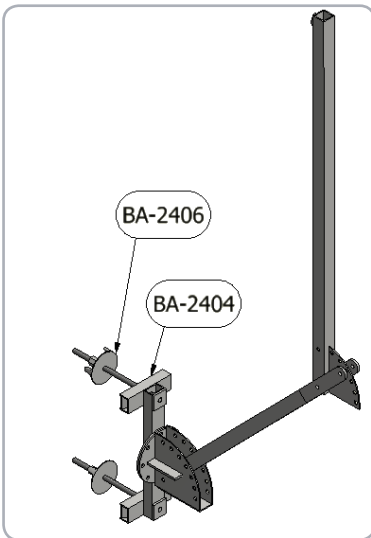


INSTALLATION

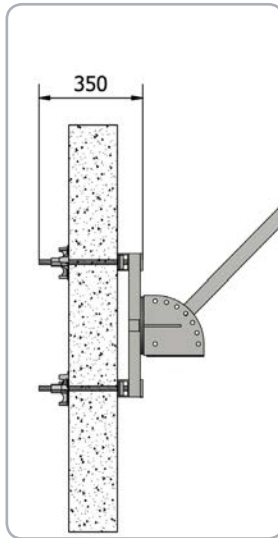
With its adjustable foot, the system can be installed vertically, horizontally and even on sloping beams. Angles: 0°-15°, 30°, 45° y 60°.



SPECIAL SOLUTIONS



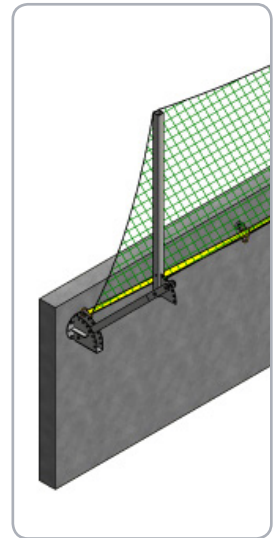
BA-2406 - threaded rod attachment DIN 18216



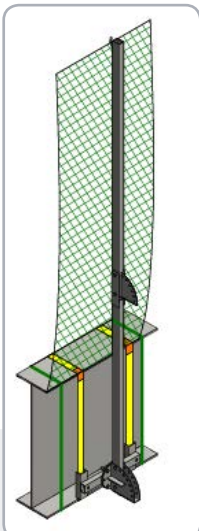
Installation on concrete wall.



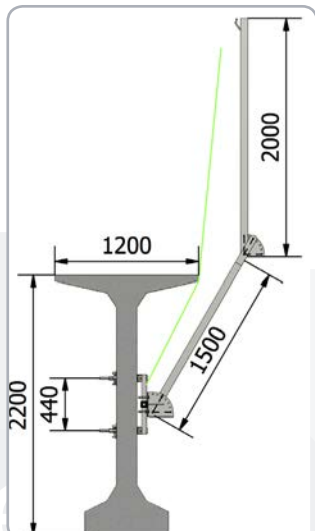
Fixation with 4 M14 expanding anchors.



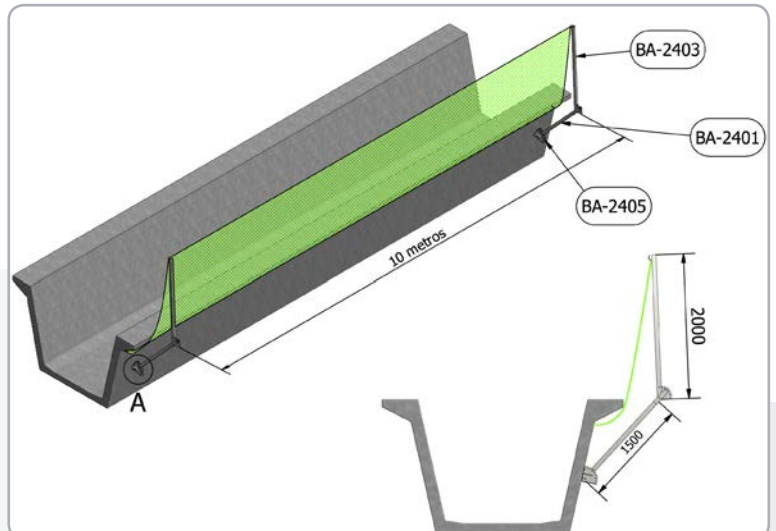
Installation on concrete wall.



Installation with customized slings.



Installation on bridge w/ BA-2406.



Installation on bridge w/ M14 expanding anchors.

Please check with us your requirements. Subject to changes.

systema safety®

Pza. Alcalde Agatángelo Soler 5, of.1

E-03015- Alicante - España

Tel.:+34 678 58 63 98

+34 965 24 86 50

Fax: +34 965 25 15 89

Email: sales@systemasafety.com

www.systemasafety.com

